

**VIRGINIA PENINSULA REGIONAL JAIL
WILLIAMSBURG, VIRGINIA**

757-820-3915

Date: September 10, 2025



**Request for Proposals 2026-002- Perimeter Security
Fencing & Installation
ADDENDUM 2
Additional Response to Questions**

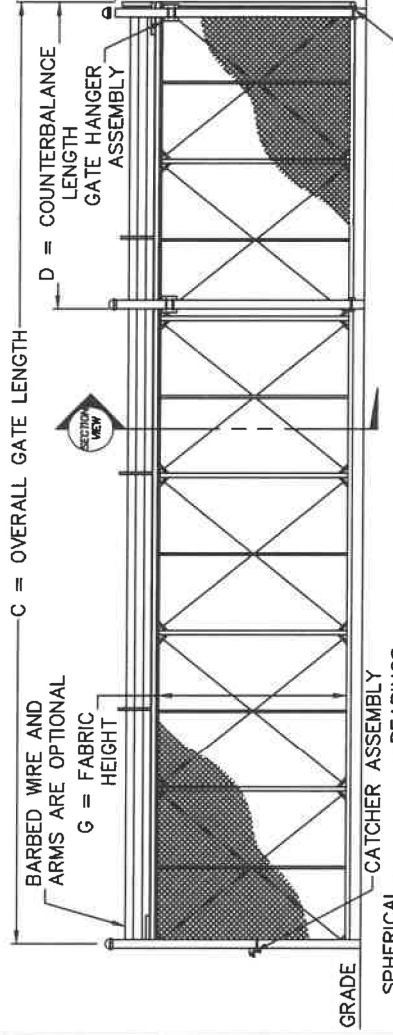
Questions:

Q1. Can the two new aluminum cantilever slide gates be single track gates?

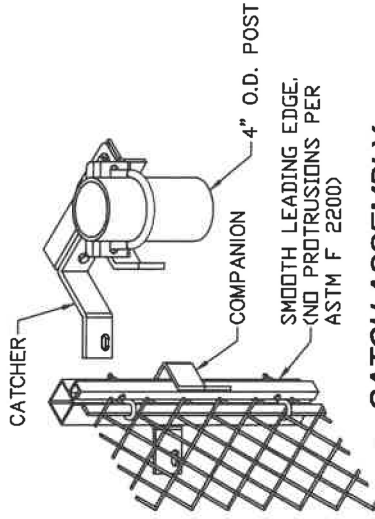
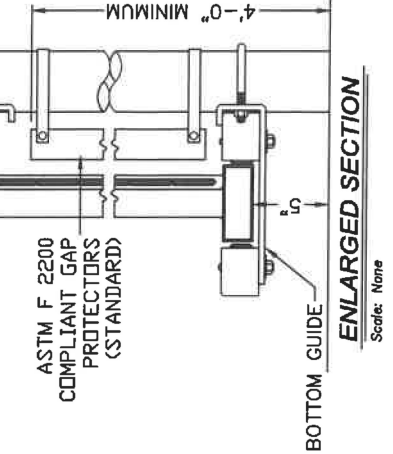
A1. Response: Yes, see attached image.

CRITICAL DIMENSION CHART

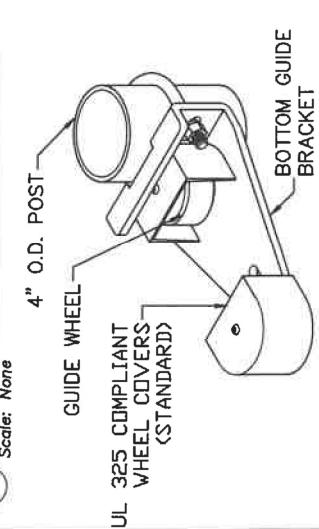
| MARK | DESCRIPTION | FORMULA | DIM. |
|------|---------------------------------|-----------|------|
| A | CLEAR OPENING | A | - |
| B | COUNTERBALANCE POST SPACING C/C | (A/2)-11" | - |
| C | OVERALL GATE LENGTH | A x 1.5 | - |
| D | COUNTERBALANCE LENGTH | A x 0.5 | - |
| E | NOMINAL GATE HEIGHT | E | - |
| F | POST HEIGHT (W/ BARB ARMS) | E + 1'-6" | - |
| G | FABRIC HEIGHT | E - 1'-0" | - |



SECTION



7 GATE HANGER ASSEMBLY



9 CATCH ASSEMBLY



8 BOTTOM GUIDE



- NOTES:
- ALL FITTINGS STANDARDLY PROVIDED FOR 4" O.D. POSTS. OTHER SIZES AVAILABLE UPON REQUEST.
 - BARB ARMS (FOR BARBED WIRE) OPTIONAL.

TYMETAL CORP.
www.tymetal.com
678 WILBUR AVENUE
GREENWICH, N.Y. 12834
PH: (800) 328-4283 - (916) 652-9930

HEAVY DUTY CANTILEVER SLIDE GATE

REV. 3 - 2/16/24